

High-Limit LED must be installed as shown (lower 4 pins)

12V Light (White 2-Pin)

ON

OFF

**SYSTEM FUSE**

RED INDICATOR LIGHT

**HIGH-LIMIT**

RED INDICATOR LIGHT

**PUMP 1 FUSE**

RED INDICATOR LIGHT

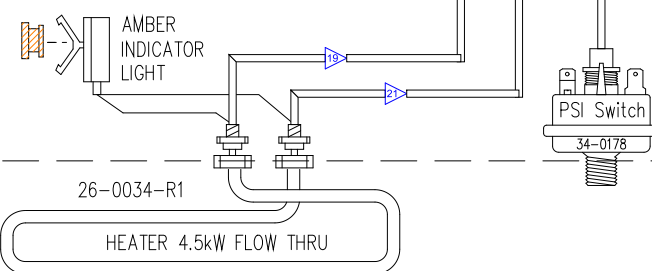
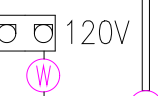
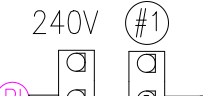
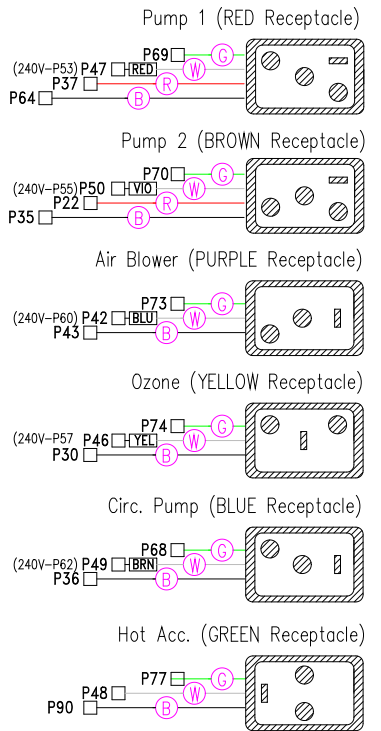
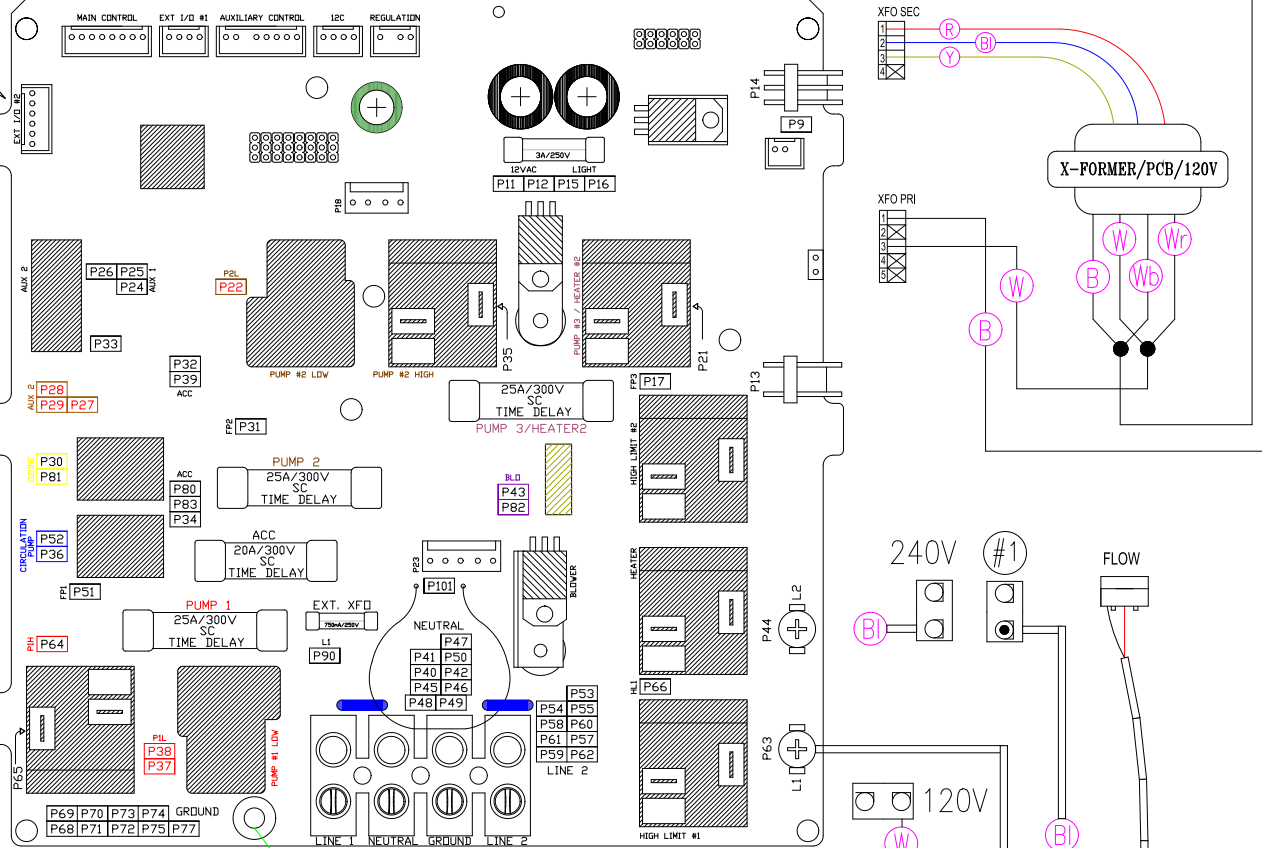
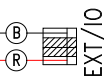
**PUMP 2 FUSE**

RED INDICATOR LIGHT

**AIR/CIRC/ BLOWER FUSE**

RED INDICATOR LIGHT

33-0010-R7



**HYDRO-QUIP**  
CORONA, CA (909) 273-7575

Manufacture Notes: EX: RED - DENOTES THE COLOR OF HEAT SHRINK USED.

Dwg. No. **C5S56A0-DKMPQZY**

Drawn BH Rev 7

Wire Color Code

For 120V Operation:

a) Install Heater plug (#1) into receptacle labeled 120V

For 240V Operation:

b) Install Heater plug (#1) into receptacle labeled 240V

Date 07.15.05  
Diagram No. **6407**

|            |            |
|------------|------------|
| B - Black  | G - Green  |
| Br - Brown | Bl - Blue  |
| R - Red    | V - Violet |
| O - Orange | W - White  |
| Y - Yellow | Gr - Gray  |